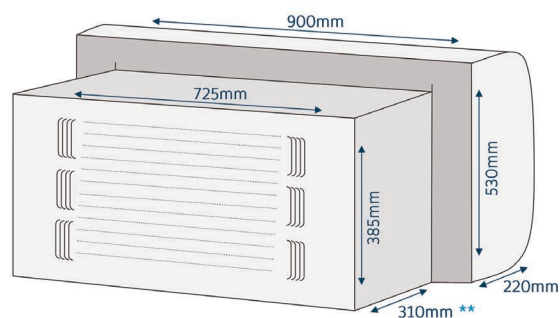
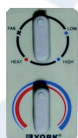




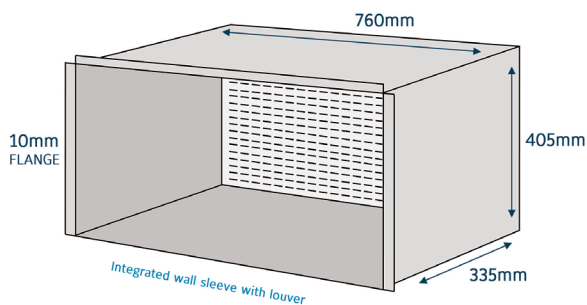
YORK® Console Fixed Speed

YPGE09 to 15C with ELECTRIC HEATING
 A complete range from 9000 btu/h to 15000 btu/h



** On the 15000btu units this dimension is 460mm

Dimensions



Features

- Electro-mechanical control
- 3 operation modes (Cool/Heat/Fan)
- 2 speeds fan control
- Auto-restart
- Convenient filter cleaning
- Modern, stylish design
- Slinger ring condensate water removal (in cooling mode)



YPGE 09 to 15C

A complete range from 9000 btu/h to 15000 btu/h



Auto Restart



Fresh Air



Washable Filter



Muti-Speed Fan



Compact Design

Technical features

YORK Model		Set	YPGE09C	YPGE13C	YPGE15C
Power supply		V/Ph/Hz	220-240/1/50	220-240/1/50	220-240/1/50
Cooling	Capacity	W	2,640	3,810	4,340
	Input	W	875	1,265	1,440
	Rated current	A	3.9	5.9	6.5
	EER	W/W	3.02	3.01	3.01
Heating (Electrical Heater)	Capacity	W	3,000	3,000	3,000
	Input	W	3,050	3,050	3,050
	Rated current	A	13.9	13.9	13.9
Moisture Removal		l/h	0.75	1.27	1.6
Max. input consumption		W	1,190	1,620	1,830
Max. current		A	5.2	7.6	8.2
Starting current		A	21	23	30
Operation Control			Mechanical	Mechanical	Mechanical
Indoor fan motor	Input	W	79	79	79
	Running current	A	0.67	0.67	0.67
	Capacitor	µF	-(DC Inverter)	-(DC Inverter)	-(DC Inverter)
	Speed (Hi/Lo)	rpm	1,200/950	1,400/1,100	1,500/1,100
Indoor air flow (Hi/Lo)		m³/h	700/540	800/600	870/600
Indoor noise level (Hi/Lo)		dB(A)	52.6/50.8	54.3/53.3	55.2/52.3
Indoor dimension	Unit (WxHxD)	mm	900x530x220	900x530x220	900x530x220
	Type		Rotary	Rotary	Rotary
Compressor	Input	W	890	1,130	1,300
	Rated current(RLA)	A	4.2	5.4	5.9
	Locked rotor Amp(LRA)	A	21	23	30
	Thermal protector		B143-150-241E	Internal	Internal
	Capacitor	µF	30	50	50
	Refrigerant oil	cc	280±5	320±5	480±5
Outdoor fan motor	Input	W	92	92	92
	Output	W	55	55	55
	Running current	A	0.38	0.38	0.38
	Capacitor	µF	3	3	3
	Speed	rpm	1,350	1,350	1,350
Outdoor air flow		m³/h	1,050	1,050	1,050
Outdoor noise level		dB(A)	72	72	72
Outdoor dimension	Unit (WxHxD)	mm	725x385x310	725x385x310	725x385x460
	Packing (WxHxD)	mm	995x625x556	995x625x556	975x755x567
Unit weight	Net	kg	56	59	67
	Gross	kg	60.5	63.5	76.5
Refrigerant	Type		R-410A	R-410A	R-410A
	Charge	g	820	950	1140
Ambient temperature range		°C	-7~43	-7~43	-7~43
Application area		m²	16~20	23~27	28~32
Qty' per 20' & 40' & 40HQ		Set	84/172/172	84/172/172	72/144/144

Nominal cooling capacity based on : - Indoor Air Temp. 27°C DB / 19°C WB - Outdoor Air Temp. 35°C DB